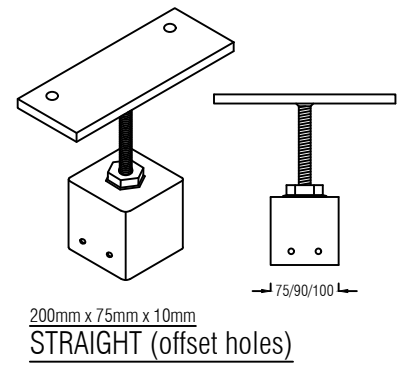
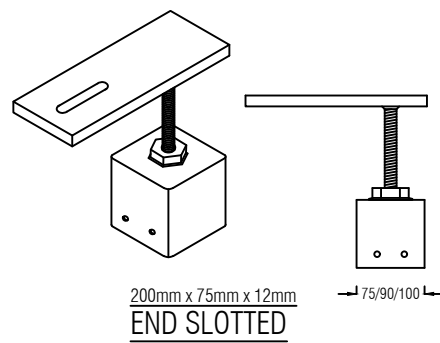


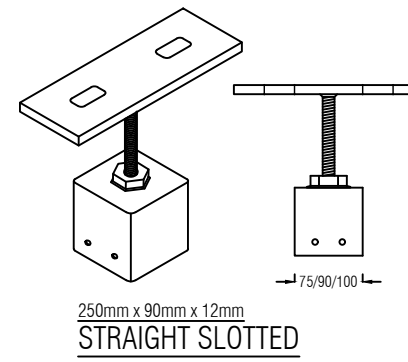
200mm x 75mm x 10mm
STRAIGHT



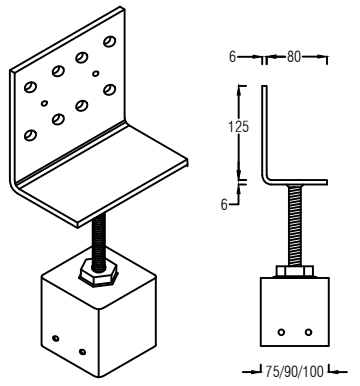
200mm x 75mm x 10mm
STRAIGHT (offset holes)



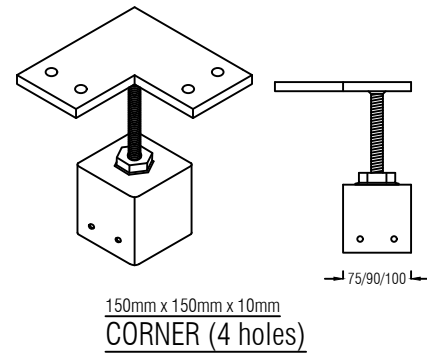
200mm x 75mm x 12mm
END SLOTTED



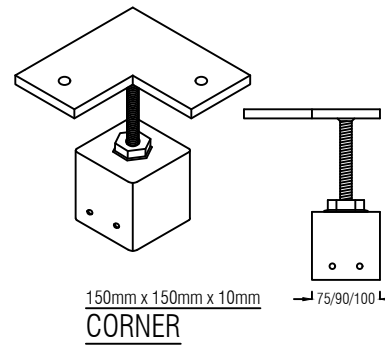
250mm x 90mm x 12mm
STRAIGHT SLOTTED



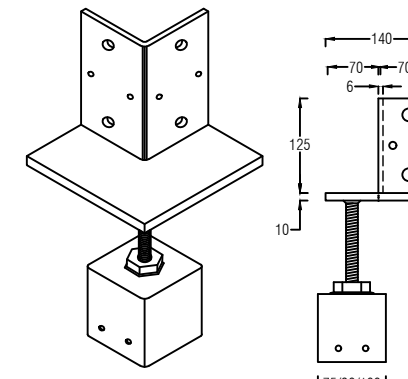
125mm x 140mm x 80mm
VERTICAL PLATE (large)



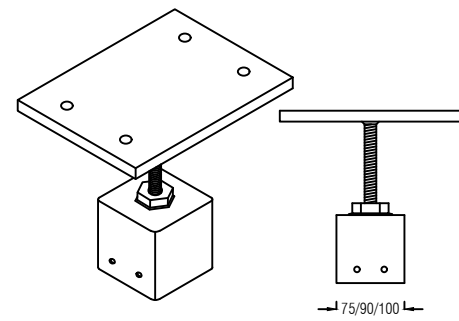
150mm x 150mm x 10mm
CORNER (4 holes)



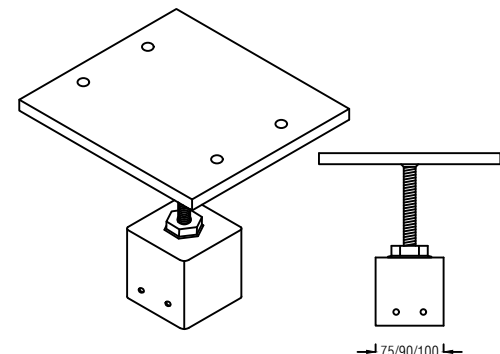
150mm x 150mm x 10mm
CORNER



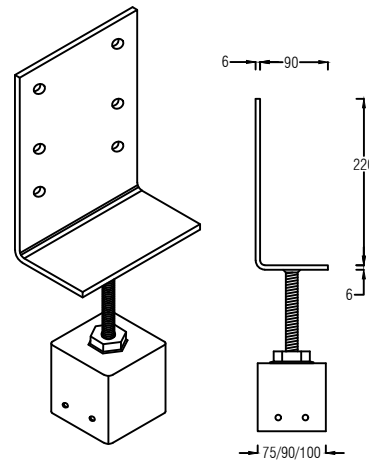
150mm x 150mm x 10mm
VERTICAL LARGE CORNER (8 holes)



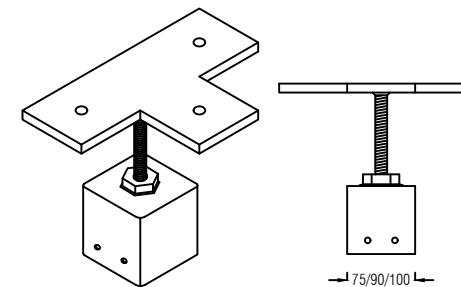
200mm x 150mm x 12mm
STRAIGHT (4 holes)



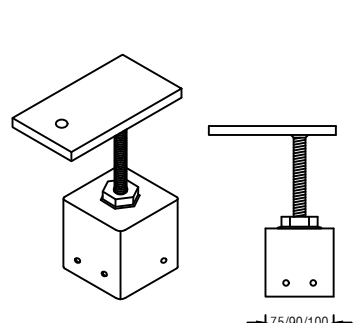
200mm x 220mm x 12mm
LARGE STRAIGHT (4 holes)



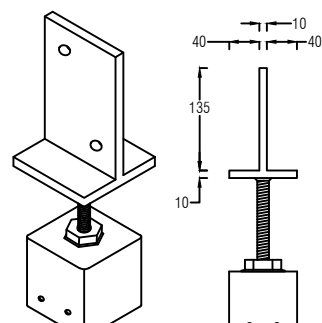
225mm x 180mm x 90mm
VERTICAL PLATE (xlarge)



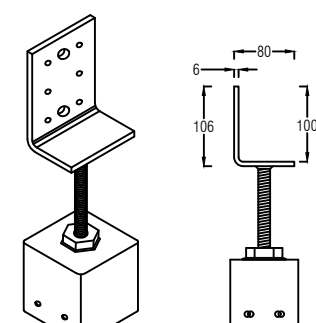
225mm x 150mm x 10mm
TEE



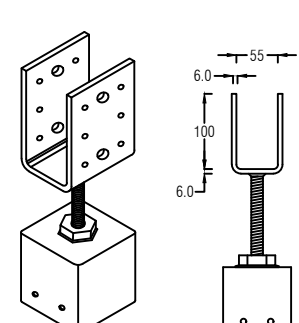
140mm x 75mm x 10mm
END OF BEARER



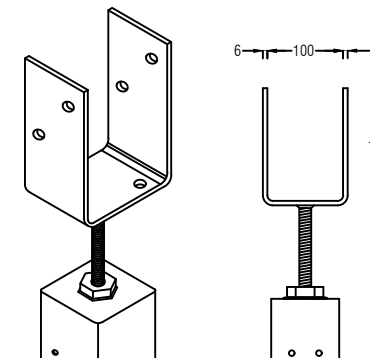
90mm x 90mm x 10mm
VERTICAL PLATE 90



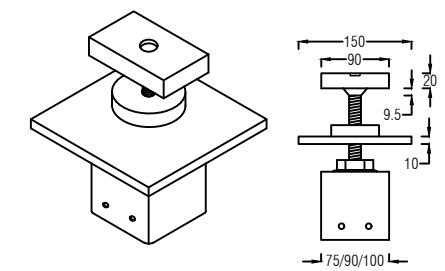
106mm x 80mm x 56mm
VERTICAL PLATE (small)



52mm x 100mm x 80mm
VERTICAL PLATE STIRRUP



101mm x 155mm x 75mm
VERTICAL PLATE STIRRUP



95mm x 57mm x 20mm
CONTAINER LOCK - CL

GENERAL NOTES

- 4 SCREWS (2 EACH OPPOSITE FACE) TO BE USED FOR CAP TO COLUMN CONNECTION. UNLESS FIXING TO EXISTING COLUMNS AS PER EXISTING COLUMN TABLE.
- ALL SCREWS FOR CAP TO COLUMN CONNECTION TO BE CLASS 4 - 12g - 24TPI SCREWS FROM ICONS PTY LTD.
- *IF NOT CENTRALLY LOADED, ALL UPLIFT & DOWNWARDS CAPACITIES TO BE 13.0 kN.
- ALL STEEL MATERIALS TO BE (MIN.) G250 (U.N.O.)

***PRODUCT CAPACITY**

MAX. UPLIFT	36kN
MAX. DOWNWARDS	125kN

THE CAPACITIES ARE BASED ON THE ASSUMPTION OF BEING CENTRALLY LOADED ONLY.

THE CAPACITIES ABOVE COVER ALL PRODUCTS SHOWN IN THIS PAGE OF DRAWING (FOR SCREW-ON SHS)

THE CAPACITIES ARE FOR THE POST HEAD PRODUCT ITSELF. OTHER ELEMENTS SUCH AS SCREWS AND TIMBER ARE NOT CONSIDERED.

***NET WIND PRESSURE AT STUMP (kN/m²)**

WIND CLASS	N2	N3	N4	C1	C2	C3
UPWARDS	-	1.01	1.82	1.20	2.10	3.80
DOWNWARDS	0.41	0.64	1.15	0.76	1.32	2.39

TYPICAL LOADS (kN/m²)

DOMESTIC FLOOR	2.85
SHEET ROOF	0.86
CLAD WALLS	0.42

EXAMPLE:-

* LEVEL MASTER STUMP SUPPORTING 9m² OF ROOF LOAD AND 9m² OF FLOOR LOAD 3m OF WALL FRAME 2.4m HIGH IN AN N3 WIND AREA.

EXAMPLE WORKINGS:-

DOWNWARDS = 9m² x 0.86kN/m² (roof) +
9m² x 2.85kN/m² (floor) +
3m wall x 2.4 high x 0.42kN/m² (wall)
= 36.4 kN total.

N3 WIND UPLIFT = 9m² x 1.01kN/m²
= 9.09 kN total.

* SO USE LEVEL MASTER CENTRE LOADED ADJUSTABLE TOP/POST HEAD BECAUSE: 36.4 kN < 150 kN AND 9.09 kN < 13 kN.

DO NOT SCALE FROM DRAWING
ALL SCALES ARE AS SHOWN (A3)

REV.	DESCRIPTION	DATE	INIT.
A	PRELIMINARY ISSUE	MAY 2023	-
0	FOR CERTIFICATION	MAY 2023	-

PEER Consulting Engineers
Professional Economical Efficient Reputable

CONTACT DETAILS
EMAIL info@peerce.com.au
WEB www.peerce.com.au
PHONE 07 3841 2046
POST 4B/2404 LOGAN RD,
EIGHT MILE PLAINS
QLD 4113

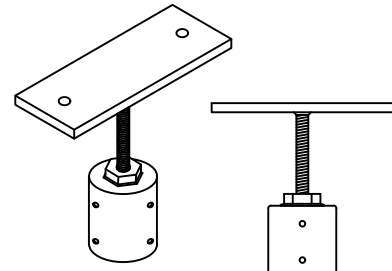
CLIENT
LEVEL MASTER

PROJECT
ADJUSTABLE POST HEADS

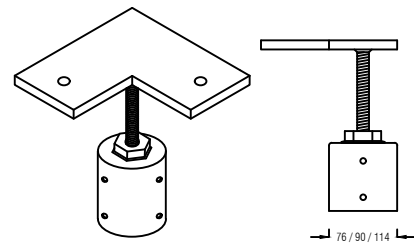
TITLE
SCREW ON CONNECTORS (SHS)

*ORIGINAL DATA PROVIDED BY SUMMERMORE Pty Ltd.

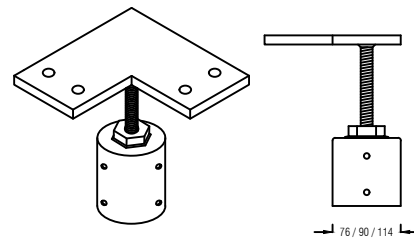
DRAWN	DESIGNED	DATE
-	-	MAY 2023
CHECKED	APPROVED	
N.Z.		
DRAWING No.	REV.	
PCE2247.1-S01	0	



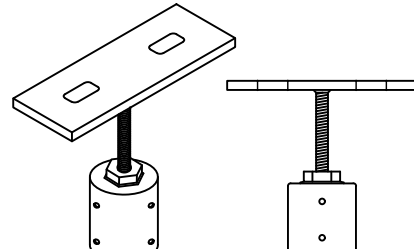
200mm x 75mm x 10mm
STRAIGHT



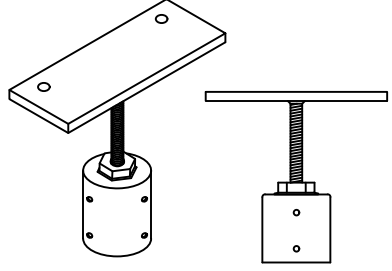
150mm x 150mm x 10mm
CORNER



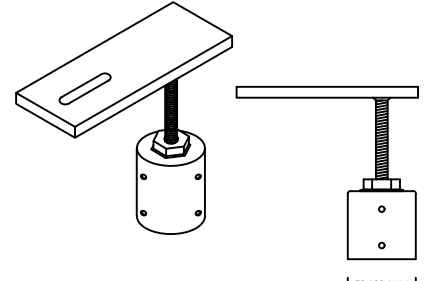
150mm x 150mm x 10mm
CORNER (4 holes)



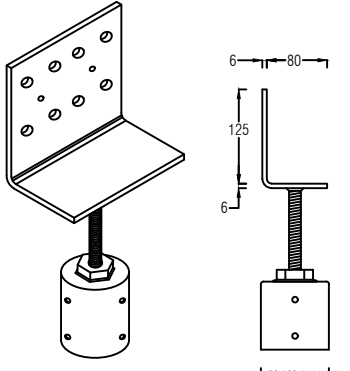
250mm x 90mm x 12mm
STRAIGHT SLOTTED



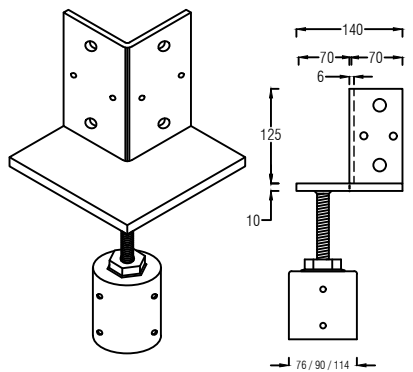
200mm x 75mm x 10mm
STRAIGHT (offset holes)



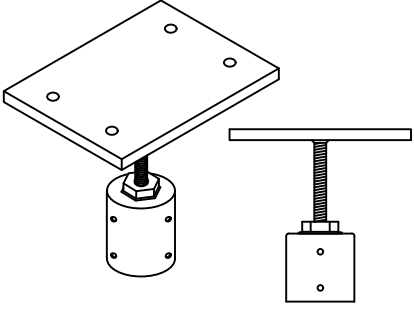
200mm x 75mm x 12mm
END SLOTTED



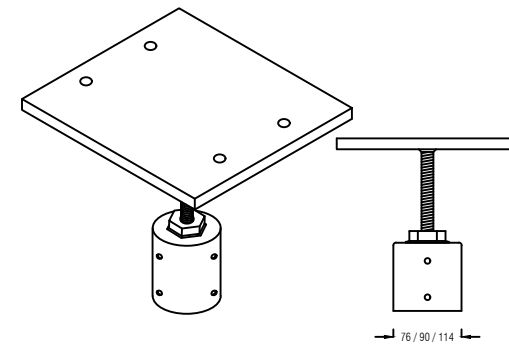
125mm x 140mm x 80mm
VERTICAL PLATE (large)



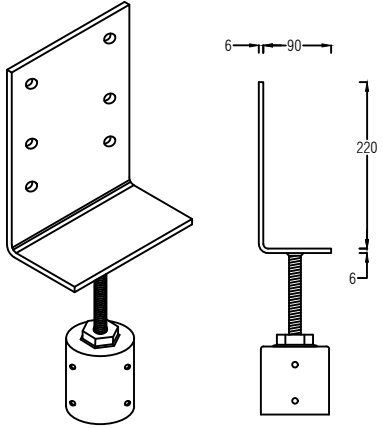
150mm x 150mm x 10mm
VERTICAL LARGE CORNER (8 holes)



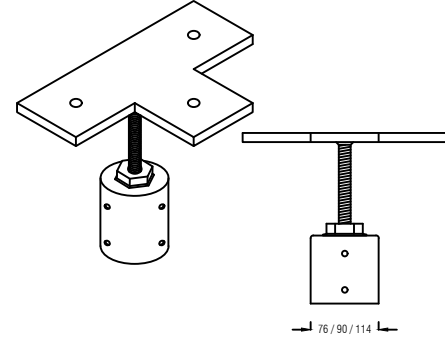
200mm x 150mm x 12mm
STRAIGHT (4 holes)



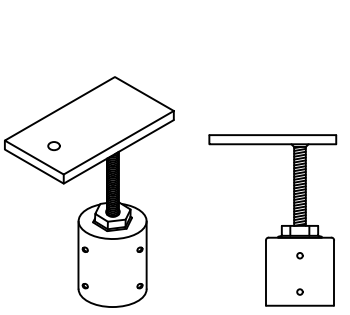
200mm x 220mm x 12mm
LARGE STRAIGHT (4 holes)



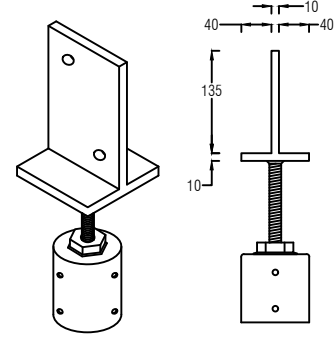
225mm x 180mm x 90mm
VERTICAL PLATE (xlarge)



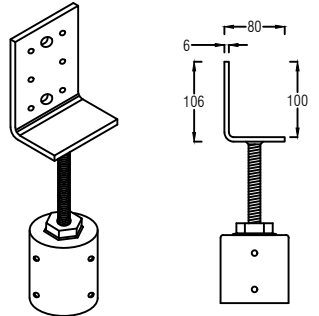
225mm x 150mm x 10mm
TEE



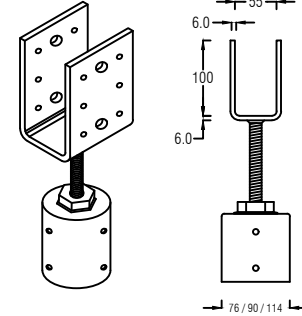
140mm x 75mm x 10mm
END OF BEARER



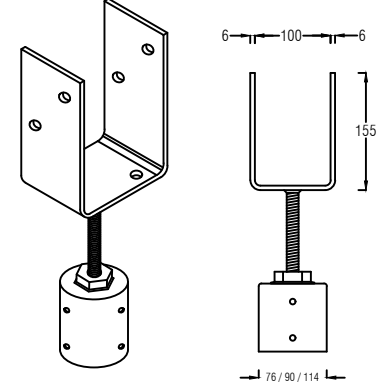
90mm x 90mm x 10mm
VERTICAL PLATE 90



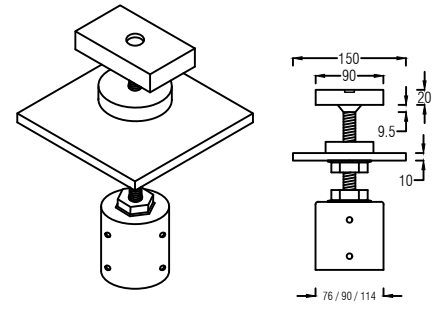
106mm x 80mm x 56mm
VERTICAL PLATE (small)



52mm x 100mm x 80mm
VERTICAL PLATE STIRRUP



101mm x 155mm x 75mm
VERTICAL PLATE STIRRUP



95mm x 57mm x 20mm
CONTAINER LOCK - CL

GENERAL NOTES

- 1 4 SCREWS (2 EACH OPPOSITE FACE) TO BE USED FOR CAP TO COLUMN CONNECTION. UNLESS FIXING TO EXISTING COLUMNS AS PER EXISTING COLUMN TABLE.
- 2 ALL SCREWS FOR CAP TO COLUMN CONNECTION TO BE CLASS 4 - 12g - 24TPI SCREWS FROM ICCONS PTY LTD.
- 3 *IF NOT CENTRALLY LOADED, ALL UPLIFT & DOWNWARDS CAPACITIES TO BE 13.0 kN.
- 4 ALL STEEL MATERIALS TO BE (MIN.) G250 (U.N.O.)

***PRODUCT CAPACITY**

MAX. UPLIFT	72kN
MAX. DOWNWARDS	125kN

THE CAPACITIES ARE BASED ON THE ASSUMPTION OF BEING CENTRALLY LOADED ONLY.
THE CAPACITIES ABOVE COVER ALL PRODUCTS SHOWN IN THIS PAGE OF DRAWING (FOR SCREW-ON SHS)
THE CAPACITIES ARE FOR THE POST HEAD PRODUCT ITSELF. OTHER ELEMENTS SUCH AS SCREWS AND TIMBER ARE NOT CONSIDERED.

***NET WIND PRESSURE AT STUMP (kN/m²)**

WIND CLASS	N2	N3	N4	C1	C2	C3
UPWARDS	-	1.01	1.82	1.20	2.10	3.80
DOWNWARDS	0.41	0.64	1.15	0.76	1.32	2.39

TYPICAL LOADS (kN/m²)

DOMESTIC FLOOR	2.85
SHEET ROOF	0.86
CLAD WALLS	0.42

EXAMPLE:-

* LEVEL MASTER STUMP SUPPORTING 9m² OF ROOF LOAD AND 9m² OF FLOOR LOAD 3m OF WALL FRAME 2.4m HIGH IN AN N3 WIND AREA.

EXAMPLE WORKINGS:-

DOWNWARDS=9m² x 0.86kN/m² (roof) +
9m² x 2.85kN/m² (floor) +
3m wall x 2.4 high x 0.42kN/m² (wall)
= 36.4 kN total.

N3 WIND UPLIFT= 9m² x 1.01kN/m²
= 9.09 kN total.

* SO USE LEVEL MASTER CENTRE LOADED ADJUSTABLE TOP/POST HEAD BECAUSE: 36.4 kN < 150 kN AND 9.09 kN < 13 kN.

DO NOT SCALE FROM DRAWING
ALL SCALES ARE AS SHOWN (A3)

*ORIGINAL DATA PROVIDED BY SUMMERMORE Pty Ltd.

REV.	DESCRIPTION	DATE	INIT.
A	PRELIMINARY ISSUE	MAY 2023	-
0	FOR CERTIFICATION	MAY 2023	-

PEER Consulting Engineers
Professional Economical Efficient Reputable

CONTACT DETAILS
EMAIL info@peerce.com.au
WEB www.peerce.com.au
PHONE 07 3841 2046
POST 4B/2404 LOGAN RD,
EIGHT MILE PLAINS
QLD 4113

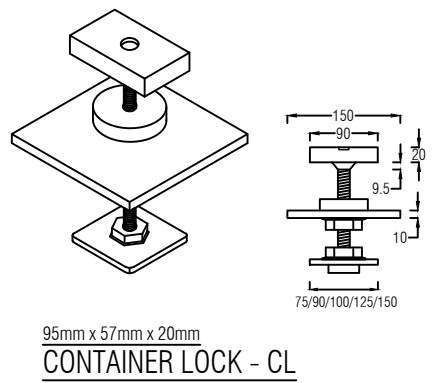
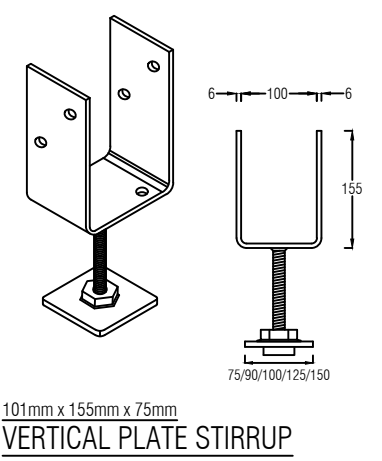
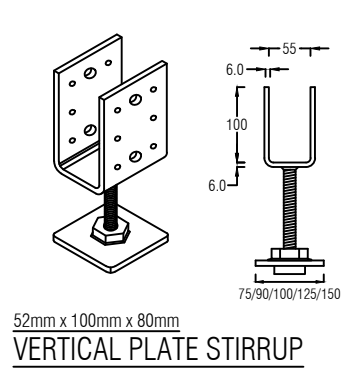
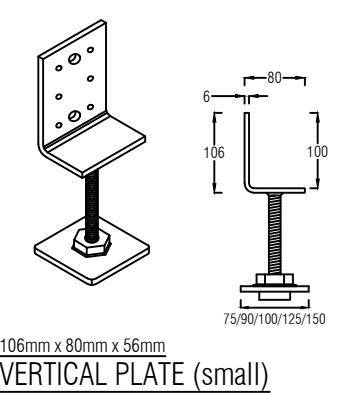
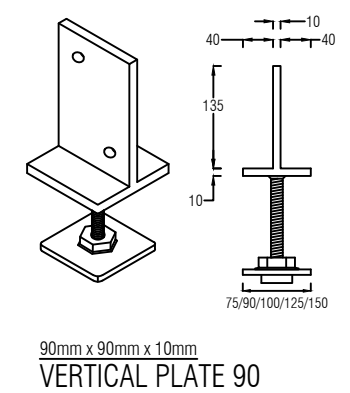
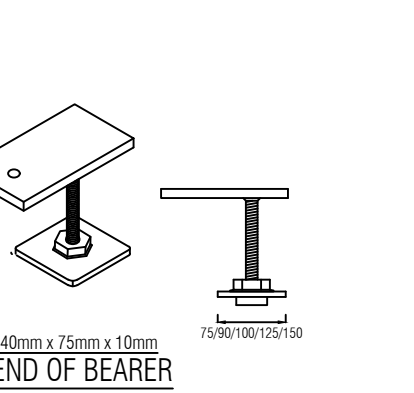
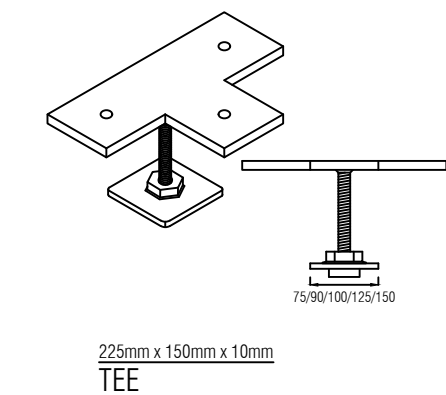
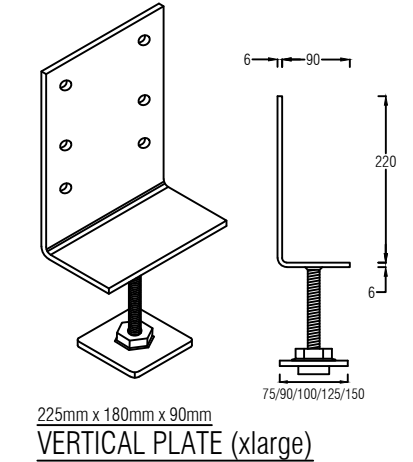
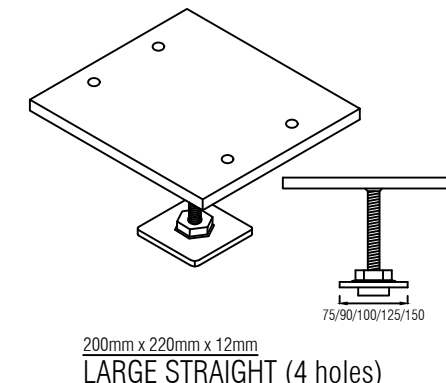
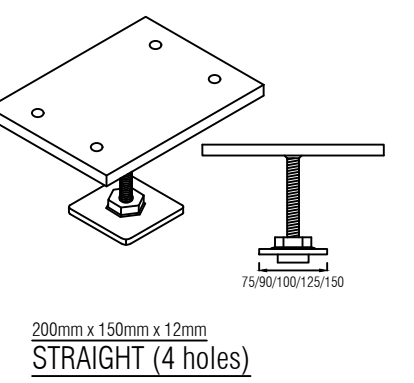
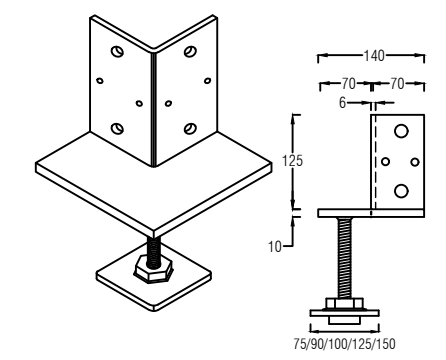
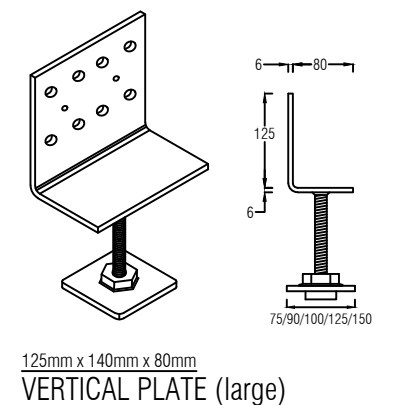
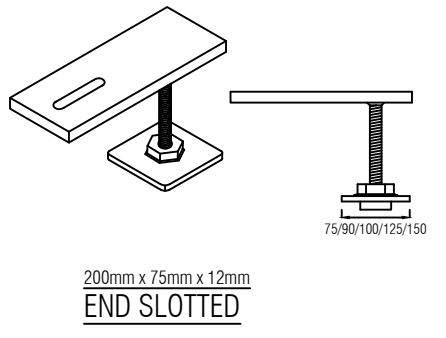
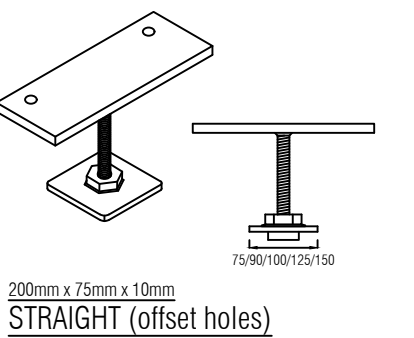
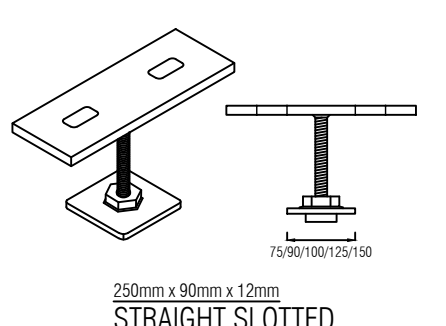
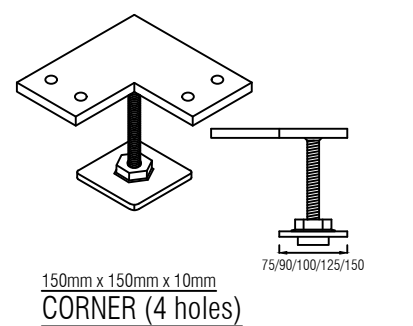
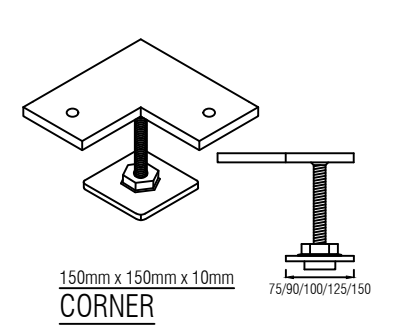
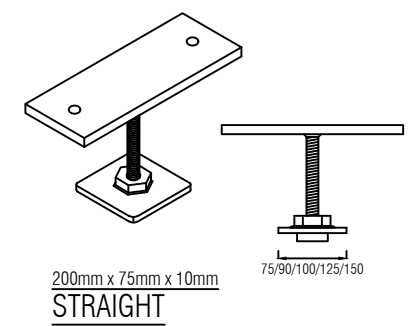
CLIENT
LEVEL MASTER

PROJECT
ADJUSTABLE POST HEADS

TITLE
SCREW ON CONNECTORS (CHS)

DRAWN	DESIGNED	DATE
-	-	MAY 2023
CHECKED	APPROVED	
N.Z.		
DRAWING No.	REV.	
PCE2247.1-S02	0	

- GENERAL NOTES**
- 4 SCREWS (2 EACH OPPOSITE FACE) TO BE USED FOR CAP TO COLUMN CONNECTION. UNLESS FIXING TO EXISTING COLUMNS AS PER EXISTING COLUMN TABLE.
 - ALL SCREWS FOR CAP TO COLUMN CONNECTION TO BE CLASS 4 - 12g - 24TPI SCREWS FROM ICCONS PTY LTD.
 - *IF NOT CENTRALLY LOADED, ALL UPLIFT & DOWNWARDS CAPACITIES TO BE 13.0 kN.
 - ALL STEEL MATERIALS TO BE (MIN.) G250 (U.N.O.)



***PRODUCT CAPACITY**

MAX. UPLIFT	125kN
MAX. DOWNWARDS	125kN

THE CAPACITIES ARE BASED ON THE ASSUMPTION OF BEING CENTRALLY LOADED ONLY.
THE CAPACITIES ABOVE COVER ALL PRODUCTS SHOWN IN THIS PAGE OF DRAWING (FOR SCREW-ON SHS)
THE CAPACITIES ARE FOR THE POST HEAD PRODUCT ITSELF. OTHER ELEMENTS SUCH AS SCREWS AND TIMBER ARE NOT CONSIDERED.

***NET WIND PRESSURE AT STUMP (kN/m²)**

WIND CLASS	N2	N3	N4	C1	C2	C3
UPWARDS	-	1.01	1.82	1.20	2.10	3.80
DOWNWARDS	0.41	0.64	1.15	0.76	1.32	2.39

TYPICAL LOADS (kN/m²)

DOMESTIC FLOOR	2.85
SHEET ROOF	0.86
CLAD WALLS	0.42

DO NOT SCALE FROM DRAWING
ALL SCALES ARE AS SHOWN (A3)

*ORIGINAL DATA PROVIDED BY SUMMERMORE Pty Ltd.

REV.	DESCRIPTION	DATE	INIT.
A	PRELIMINARY ISSUE	MAY 2023	-
0	FOR CERTIFICATION	MAY 2023	-

PEER Consulting Engineers
Professional Economical Efficient Reputable

CONTACT DETAILS
EMAIL info@peerce.com.au
WEB www.peerce.com.au
PHONE 07 3841 2046
POST 4B/2404 LOGAN RD,
EIGHT MILE PLAINS
QLD 4113

CLIENT
LEVEL MASTER

PROJECT
ADJUSTABLE POST HEADS

TITLE
WELD ON CONNECTORS (SHS)

DRAWN	DESIGNED	DATE
-	-	MAY 2023
CHECKED	APPROVED	
N.Z.		
DRAWING No.	REV.	
PCE2247.1-S03	0	

- GENERAL NOTES**
- 4 SCREWS (2 EACH OPPOSITE FACE) TO BE USED FOR COLUMN TO BASEPLATE CONNECTION.
 - ALL SCREWS FOR CAP TO COLUMN CONNECTION TO BE CLASS 4 - 12g - 24TPI SCREWS FROM ICCONS PTY LTD.
 - *IF NOT CENTRALLY LOADED, ALL DOWNWARDS CAPACITIES TO BE 13.0 kN.
 - ALL STEEL BASEPLATES TO BE G250 (U.N.O.). ALL STEEL TUBES TO BE G350. (U.N.O.)

***PRODUCT CAPACITY**

MAX. UPLIFT	4kN
MAX. DOWNWARDS	125kN
CLAMPING CAPACITY	38kN

THE CLAMPING FORCE MAY VARY DEPENDING ON THE APPLIED TORQUE DURING CONSTRUCTION. THE CLAMPING CAPACITY IS ESTIMATED BASED ON THE TYPICAL TIGHTENING TORQUE OF M16 BOLT (GRADE 8.8).
 THE CAPACITIES ARE BASED ON THE ASSUMPTION OF BEING CENTRALLY LOADED ONLY.
 THE CAPACITIES ABOVE COVER ALL PRODUCTS SHOWN IN THIS PAGE OF DRAWING (FOR DOG CLAMP)
 THE CAPACITIES ARE FOR THE POST HEAD PRODUCT ITSELF. OTHER ELEMENTS SUCH AS SCREWS AND TIMBER ARE NOT CONSIDERED.

***NET WIND PRESSURE AT STUMP (kN/m²)**

WIND CLASS	N2	N3	N4	C1	C2	C3
UPWARDS	-	1.01	1.82	1.20	2.10	3.80
DOWNWARDS	0.41	0.64	1.15	0.76	1.32	2.39

TYPICAL LOADS (kN/m²)

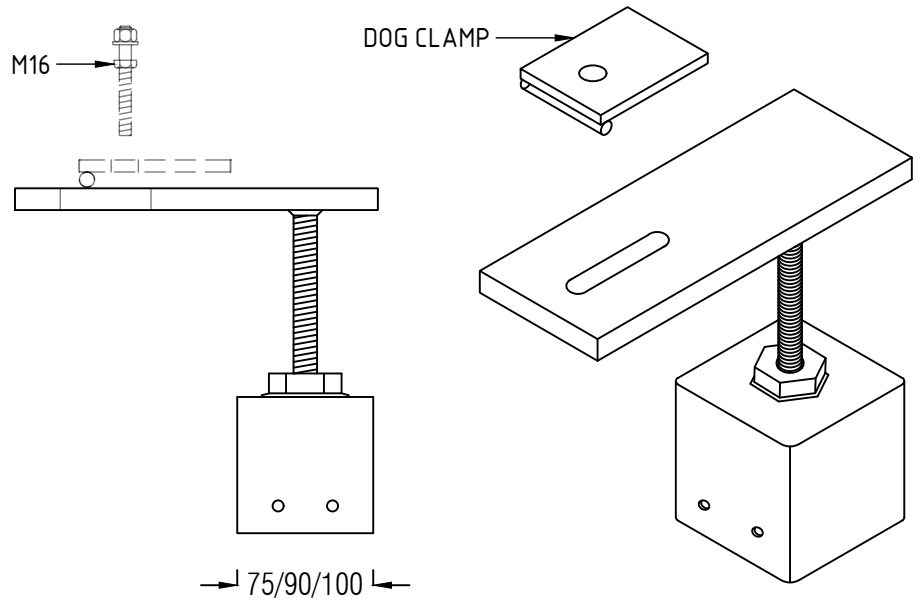
DOMESTIC FLOOR	2.85
SHEET ROOF	0.86
CLAD WALLS	0.42

EXAMPLE:-
 * LEVEL MASTER STUMP SUPPORTING 9m² OF ROOF LOAD AND 9m² OF FLOOR LOAD 3m OF WALL FRAME 2.4m HIGH IN AN N3 WIND AREA.

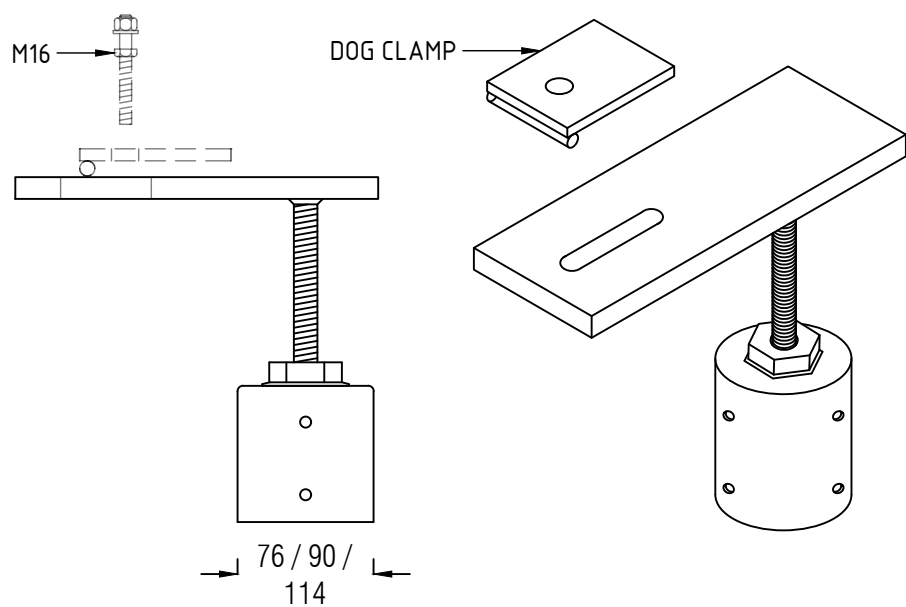
EXAMPLE WORKINGS:-
 DOWNWARDS = 9m² x 0.86kN/m² (roof) +
 9m² x 2.85kN/m² (floor) +
 3m wall x 2.4 high x 0.42kN/m² (wall)
 = 36.4 kN total.

N3 WIND UPLIFT = 9m² x 1.01kN/m²
 = 9.09 kN total.

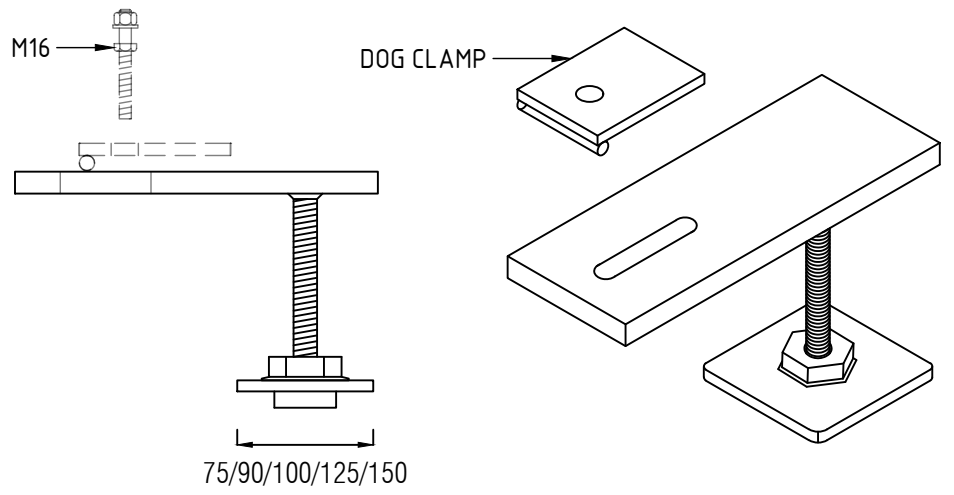
* SO USE LEVEL MASTER CENTRE LOADED ADJUSTABLE TOP/POST HEAD BECAUSE: 36.4 kN < 150 kN AND 9.09 kN < 13 kN.



100mm x 75mm x 8mm
SCREW ON (SHS)



100mm x 75mm x 8mm
SCREW ON (CHS)



100mm x 75mm x 8mm
WELD ON (SHS)

DO NOT SCALE FROM DRAWING
 ALL SCALES ARE AS SHOWN (A3)

*BASED ON THE ORIGINAL DATA PROVIDED BY SUMMERMORE Pty Ltd.

REV.	DESCRIPTION	DATE	INIT.
A	PRELIMINARY ISSUE	MAY2023	-
0	FOR CERTIFICATION	MAY2023	-

PEER Consulting Engineers
 Professional Economical Efficient Reputable

CONTACT DETAILS
 EMAIL info@peerce.com.au
 WEB www.peerce.com.au
 PHONE 07 38412046
 POST 4B/2404 LOGAN RD,
 EIGHT MILE PLAINS
 QLD 4113

CLIENT
 LEVEL MASTER

PROJECT
 ADJUSTABLE POST HEADS

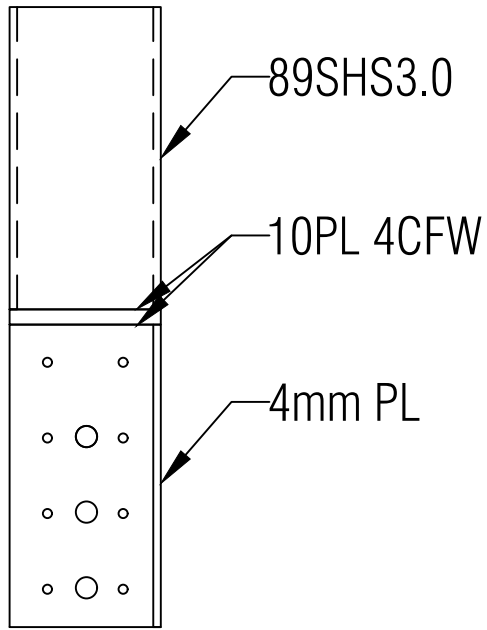
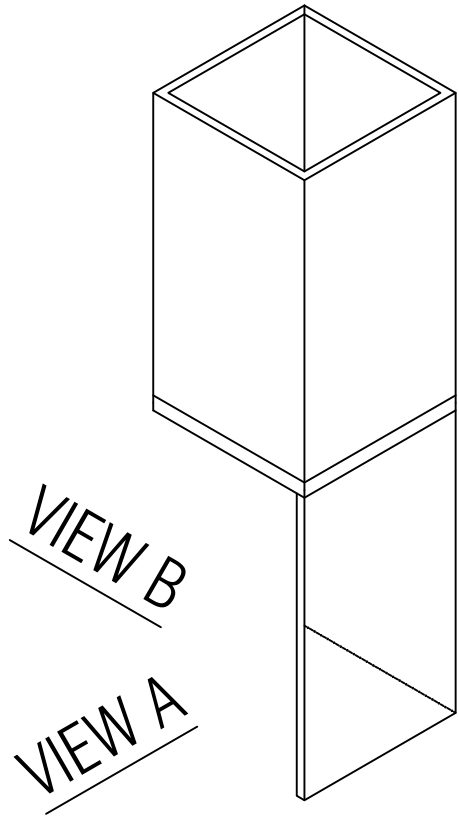
TITLE
 DOG CLAMP CONNECTORS

DRAWN	DESIGNED	DATE
-	-	MAY 2023
CHECKED	APPROVED	
N.Z.		
DRAWING No.	REV.	
PCE2247.1 - S04	0	

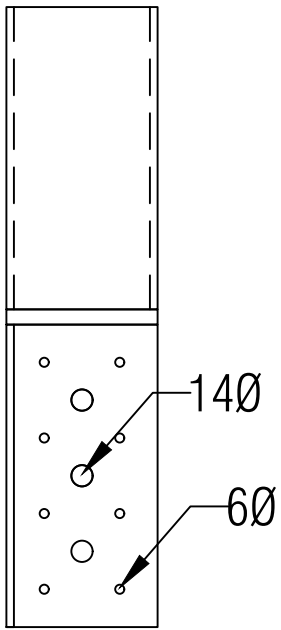
LEVELMASTER POST HEADS MAY BE USED TO RETROFIT EXISTING COLUMNS AND ARE AVAILABLE WITH ONE SIDE REMOVED.		
*EXISTING COLUMNS & FIXINGS		
STEEL (SHS) 3.0mm THICK (min)	TIMBER	CONCRETE
9/14g TEK SCREWS	15/TYPE 17 #14 SCREWS, 35mm long.	3/M10-50 CONCRETE SCREWS (offset)

*LEVELMASTER RETROFIT BRACKET CAPACITIES (kN)	
6 / M12-100 ANCHOR SCREWS TO CONCRETE	43.8
8 / 14g SCREWS (22mm) TO 3mm STEEL COLUMN (min)	39.6
12 / 14g SCREWS (22mm) TO 3mm STEEL COLUMN (min)	43.8
12 / #14 TYPE 17 SCREWS (40mm) TO HWD COLUMN	36.4
16 / #14 TYPE 17 SCREWS (40mm) TO HWD COLUMN	43.8

ENSURE ALL SCREWS ARE DIVIDED EQUALLY TO BOTH 4mm SIDE CLEATS.
(EG - 12/SCREWS REQUIRED, PROVIDE 6/SCREWS EACH CLEAT)



VIEW A

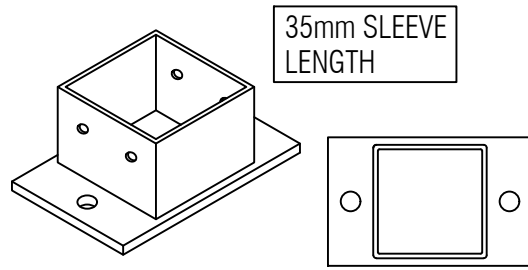


VIEW B

DO NOT SCALE FROM DRAWING
ALL SCALES ARE AS SHOWN (A3)

*ORIGINAL DATA PROVIDED BY SUMMERMORE Pty Ltd.

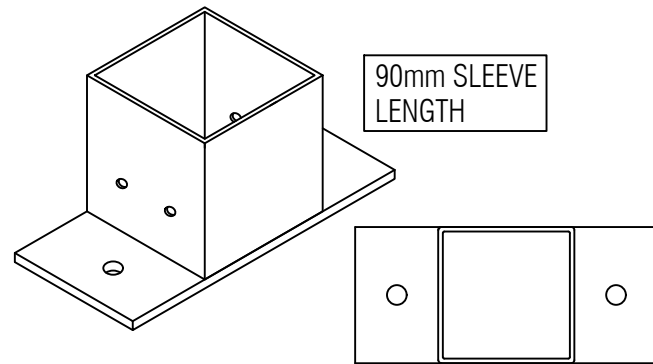
REV.	DESCRIPTION	DATE	INIT.	 PEER Consulting Engineers <small>Professional Economical Efficient Reputable</small>	CONTACT DETAILS EMAIL info@peerce.com.au WEB www.peerce.com.au PHONE 07 3841 2046 POST 4B/2404 LOGAN RD, EIGHT MILE PLAINS QLD 4113	CLIENT LEVEL MASTER	PROJECT ADJUSTABLE POST HEADS	TITLE BASE PLATE (SHS)	DRAWN	DESIGNED	DATE
A	PRELIMINARY ISSUE	MAY2023	-						-	-	MAY 2023
0	FOR CERTIFICATION	MAY2023	-						CHECKED	APPROVED	
									N.Z.		
									DRAWING No.		REV.
									PCE2247.1 - S05		0



35mm SLEEVE LENGTH

SUIT 75mm & 89mm POST
CAST IN BASEPLATE TO CONCRETE

MAX UPLIFT = 36.0 kN

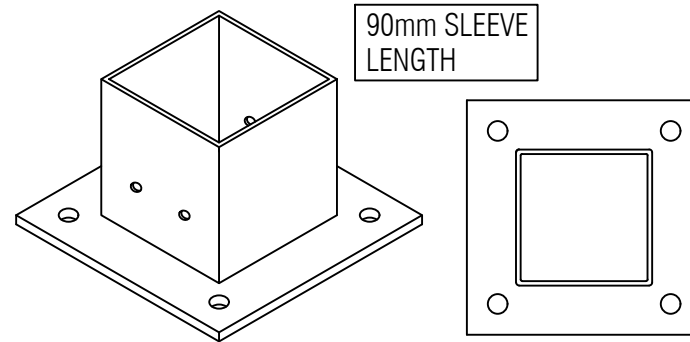


90mm SLEEVE LENGTH

SUIT 75mm, 89mm & 100mm POST
BOLT DOWN BASEPLATE (2 HOLES)

MAX UPLIFT = 36.0 kN

BOLT DOWN OPTIONS (2 HOLES) - 20MPa concrete (min) - 90mm edge distance (min)	
RAMSET CHEMSET '101'	2 x M12-200 CHEMSETS (1 x each side)
WERCS ANKASCREW	2 x M12-90 WERCS ANKASCREWS (1 x each side)



90mm SLEEVE LENGTH

SUIT 75mm, 89mm & 100mm POST - 4 holes
BOLT DOWN BASEPLATE (4 HOLES)

MAX UPLIFT = 36.0 kN

BOLT DOWN OPTIONS (4 HOLES) - 20MPa concrete (min) - 90mm edge distance (min)	
RAMSET CHEMSET '101'	4 x M12-100 CHEMSETS (1 x each corner)
WERCS ANKASCREW	4 x M12-60 WERCS ANKASCREWS (1 x each corner)

GENERAL NOTES

- 4 SCREWS (2 EACH OPPOSITE FACE) TO BE USED FOR COLUMN TO BASEPLATE CONNECTION.
- ALL SCREWS FOR CAP TO COLUMN CONNECTION TO BE CLASS 4 - 12g - 24TPI SCREWS FROM ICCONS PTY LTD.
- *IF NOT CENTRALLY LOADED, ALL UPLIFT & DOWNWARDS CAPACITIES TO BE 13.0 kN.
- ALL STEEL BASEPLATES TO BE G250 (U.N.O.). ALL STEEL TUBES TO BE G350. (U.N.O.)

***REFERENCE COLUMN HEIGHTS**

COLUMN TYPE	MAX. COMPRESSION (kN)	MAX. HEIGHT (mm)
89SHS3.5 OR 100SHS4.0	150	4500
75SHS3.0	150	2500
75SHS4.0	150	3000

ALL OTHER COLUMNS/HEIGHTS TO BE SITE SPECIFIC DESIGNED.

***NET WIND PRESSURE AT STUMP (kN/m²)**

WIND CLASS	N2	N3	N4	C1	C2	C3
UPWARDS	-	1.01	1.82	1.20	2.10	3.80
DOWNWARDS	0.41	0.64	1.15	0.76	1.32	2.39

TYPICAL LOADS (kN/m²)

DOMESTIC FLOOR	2.85
SHEET ROOF	0.86
CLAD WALLS	0.42

EXAMPLE:-

* LEVEL MASTER STUMP SUPPORTING 9m² OF ROOF LOAD AND 9m² OF FLOOR LOAD 3m OF WALL FRAME 2.4m HIGH IN AN N3 WIND AREA.

EXAMPLE WORKINGS:-

DOWNWARDS = 9m² x 0.86kN/m² (roof) +
9m² x 2.85kN/m² (floor) +
3m wall x 2.4 high x 0.42kN/m² (wall)
= 36.4 kN total.

N3 WIND UPLIFT = 9m² x 1.01kN/m²
= 9.09 kN total.

* SO USE LEVEL MASTER CENTRE LOADED ADJUSTABLE TOP/POST HEAD BECAUSE: 36.4 kN < 150 kN AND 9.09 kN < 13 kN.

DO NOT SCALE FROM DRAWING
ALL SCALES ARE AS SHOWN (A3)

*ORIGINAL DATA PROVIDED BY SUMMERMORE Pty Ltd.

REV.	DESCRIPTION	DATE	INIT.	CONTACT DETAILS	CLIENT	PROJECT	TITLE	DRAWN	DESIGNED	DATE
A	PRELIMINARY ISSUE	MAY2023	-	EMAIL info@peerce.com.au WEB www.peerce.com.au	LEVEL MASTER	ADJUSTABLE POST HEADS	RETROFIT JOINER	-	-	MAY 2023
0	FOR CERTIFICATION	MAY2023	-	PHONE 07 3841 2046 POST 4B/2404 LOGAN RD, EIGHT MILE PLAINS QLD 4113				CHECKED N.Z.	APPROVED	
								DRAWING No. PCE2247.1 - S06		REV. 0

